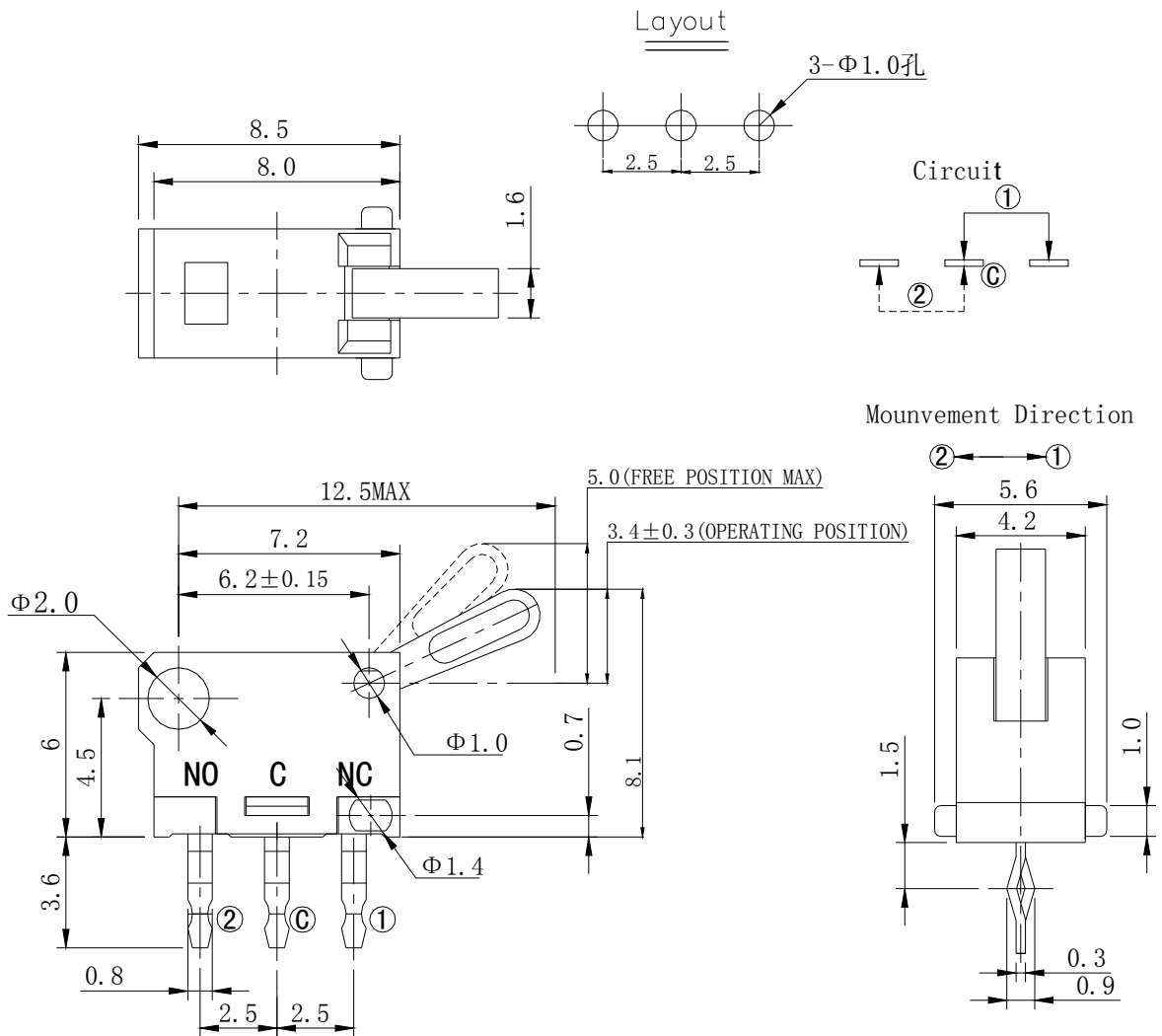


类 型	掷键开关	品 名	SPS023-02P-45
1. 功能规格			
1.1额定电压	30VDC	1.6自由高度	5.0MAX
1.2额定电流	0.1 A	1.7自由长度	12.5 Max
1.3接触电阻(CR)	≤100mΩ (初始值)	1.8动作位置(OP)	3.4±0.3mm
1.4操作力(OF)	45±15gf	1.9动作极限位置	
1.5回弹力(RF)		1.10灵敏度(BT)	
2. 可靠度参数			
2.1机械寿命	50,000 cycles	2.5耐焊接热	260° C 6s Max
2.2电气寿命	10,000 cycles	2.6操作温度	-10° C ~ +70° C
2.3绝缘电阻(IR)	≥100MΩ DC250V(初始值)	2.7储存湿度	<85%RH
2.4耐压强度(WV)	AC250V 1 minute(初始值)	2.8	

3. 尺寸规格图



版 本	修 订 内 容			日 期	修 订 人
文件编号	第C版 第0次修订			一般公差	±0.2
文件名称	成 品 规 格 书			单 位	mm
拟制	龐憶金	审核	秦黎明	批准	吴万涛
				生效日期	20090703

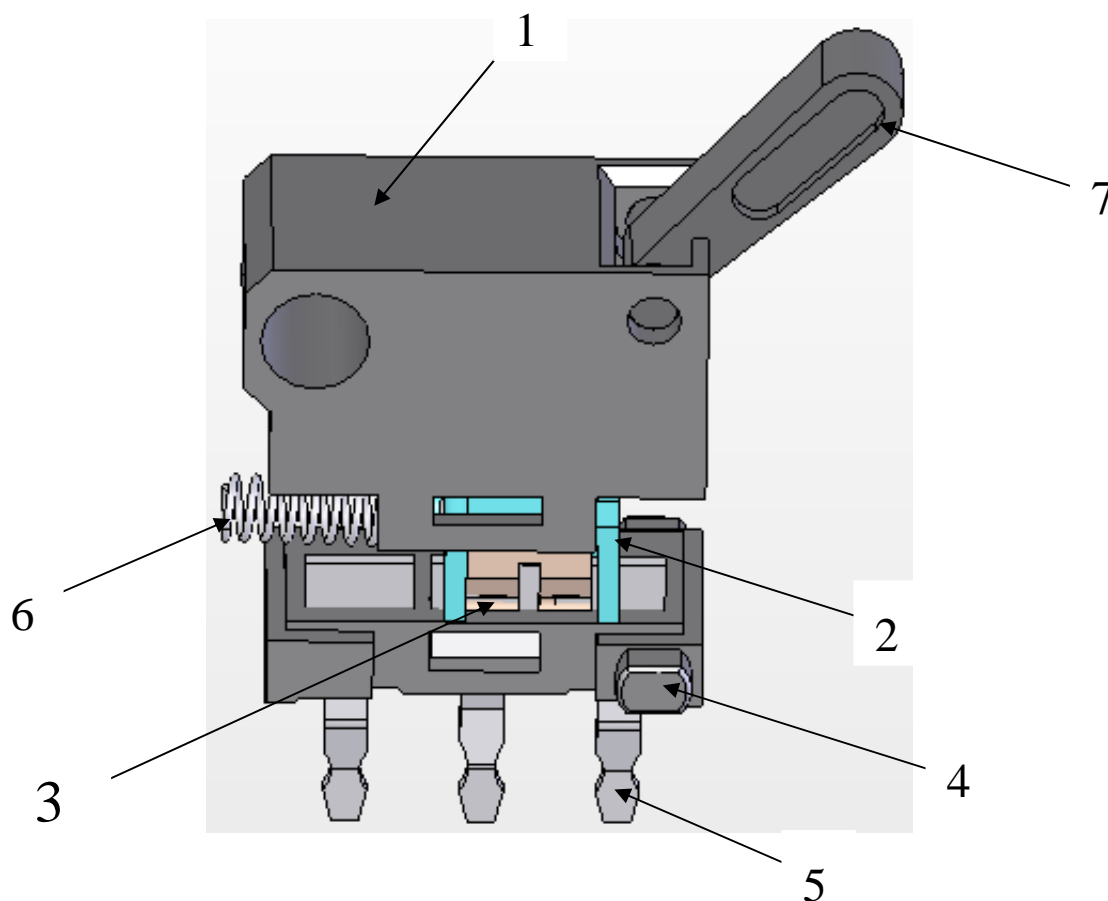
喜威達企業股份有限公司

SWEETA PRODUCTS CORPORATION

SERIES 系列		DETECTION SWITCHES(SPS023)		Issuance date 日期:		20060801	
Document No.文件名称		DIC/PE023-002		Edition 版本	C	Page 页码	第 1 页 共 4 页
NO.	Part Name 品名	Q'TY 数量	Generic Class 材质		SGS report No. SGS 报告编号		
1	Case 上盖	1	PA66		见 SGS 报告		
2	Stem 型物	1	PA66		见 SGS 报告		
3	Clip 夹子	1	C5210		见 SGS 报告		
4	Base 底座	1	PA66		见 SGS 报告		
5	Terminal 端子	3	C2680		见 SGS 报告		
6	Spring 弹簧	1	SUS304		见 SGS 报告		
7	Lever 压柄	1	PA66		见 SGS 报告		

Structure chart:

结构示意图:



喜威達企業股份有限公司

SWEETA PRODUCTS CORPORATION

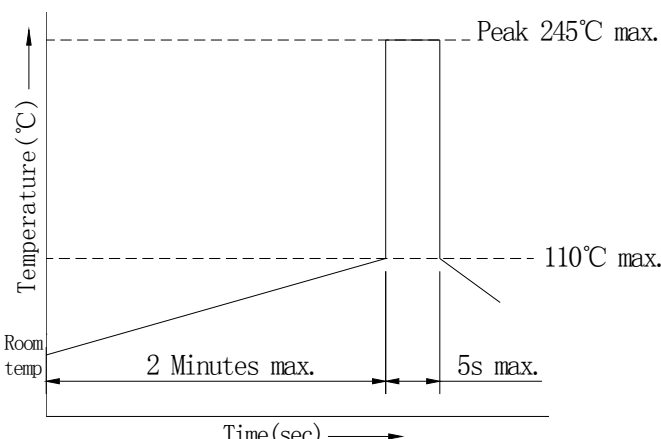
SERIES 系列		DETECTION SWITCHES (SPS023)	Issuance date 日期:	20060801	
Document No.文件名称		DIC/PE023-002	Edition 版本	C	Page 页码 第 2 页 共 4 页
1、General(一般特性) :					
1.1 Switch rating:		DC 30, 0.1A	(规格: DC 30, 0.1A)		
1.2 Operating temperature range		-10°C~70°C	(操作温度范围: -10°C~70°C)		
1.3 Preservative temperature range		-10°C~80°C	(储存温度: -10°C~80°C)		
1.4 Storage humidity range		<85%RH	(储存湿度: <85%RH)		
2.Performance 功能参数					
2.1 Electrical characteristics(电气特性)					
Items 项目		Test conditions 测试条件		Criteria 标准	
2.1.1	Contact resistance 接触电阻	<p>Applying a static load twice the operating force to the stem, measurements shall be made between the terminals.</p> <p>Measurement shall be made with a contact resistance meter for 2mΩ precision under the condition which a voltage of DC 5V and a current of 0.1A shall be applied between the terminals.</p> <p>在按钮上施加两倍操作力的静负荷值, 采用精度为 2mΩ 高稳定度线性毫欧表, 在 DC 5V 0.1A 的条件下测量端子两端的接触电阻。</p>		Refer to individual product drawing. 参考规格图纸	
2.1.2	Insulation resistance 绝缘电阻	<p>Spec. voltage (Refer to the 2.3 item of spec. drawing) is applied between each pair of terminals and between the terminal and the metal frame for one minute. Measurement shall be made with a test instrument of insulation resistance under the condition Spec. voltage is applied between the terminals .</p> <p>采用绝缘电阻器仪分别在相互绝缘的所有端子之间各接线端子与外露的非金属零件之间加载规格电压 (参见规格图纸 2.3 项) 持续 1 分钟测试绝缘电阻值。</p>		Refer to individual product drawing. 参考规格图纸	
2.1.3	Dielectric withstand in voltage 耐压强度	<p>Spec. voltage (Refer to the 2.4 item of spec. drawing) shall be applied across terminals and frame for one minute.</p> <p>在端子两端之间加载规格电压 (参见规格图纸 2.4 项), 持续时间为 1 分钟。</p>		There shall be no breakdown 无电击穿等异常.	
3.Mechanical characteristics 机械特性					
3.1	Operation force 操作力	<p>Placing the switch such that the direction of switch operation is vertical, and then gradually increasing the load applied to the stem, the maximum load for the stem to come to operating position shall be measured.</p> <p>置开关垂直状态, 渐增力度使型物至动作位置为最大之力度.</p>		Refer to individual product drawing. 参考规格图纸	
3.2	Terminal strength 端子强度	<p>A static load of 500gf Max shall be applied to the tip of the terminal for 30 sec. in any direction.</p> <p>在任意一个方向的先端加上 500gf Max 力度测试, 时间为 30 秒。</p>		Electrical characteristics shall be satisfied without damage or excessive looseness of terminals. 在端子中没有裂开, 松动等异常, 满足于机械, 电器性能。	

喜威達企業股份有限公司

SWEETA PRODUCTS CORPORATION

SERIES 系列	DETECTION SWITCHES (SPS023)	Issuance date 日期:	20060801
Document No.文件名称	DIC/PE023-002	Edition 版本	C
		Page 页码	第3页 共4页

4. soldering characteristics 焊接性能

Items 项目	Test conditions 测试条件	Criteria 标准												
4.1	<p>Hand soldering 手工焊</p> <p>Use a soldering iron of 30 watts, controlled at 350-360°C approximately 3 seconds 1time while applying solder. 焊接时需 30 瓦烙铁，控制于 350-360°C，大约 3 秒钟 1 次条件下进行。</p>	<p>A new uniform coating of solder shall cover a minimum of 90% of the surface being immersed.</p> <p>There shall be no defects in appearance or in the mechanical functions.</p> <p>覆锡性能达到浸入表面的 90% 以上</p> <p>没有出现任何外观和机械功能上的损伤。</p>												
4.2	<p>When applying wave soldering, the peak temperature of the wave Oven should be set to 245°Cmax. 当使用低波炉进行焊接时，最高温度设置为 245°C。</p> <p>Condition for soldering (Wave & Non-washable Type) Temperature Profile 焊接温度曲线图如下:</p>  <table border="1" style="width: 100%; border-collapse: collapse; margin-top: 10px;"> <thead> <tr> <th style="width: 50%;">Items</th> <th style="width: 50%;">Condition</th> </tr> </thead> <tbody> <tr> <td>Preheating temperature</td> <td>Ambient temperature of the soldered surface of PC board. 110°C max.</td> </tr> <tr> <td>Preheating time</td> <td>2 Minutes max.</td> </tr> <tr> <td>Soldering temperature</td> <td>245°C max.</td> </tr> <tr> <td>Continuous dipping time</td> <td>5s max.</td> </tr> <tr> <td>Number of soldering</td> <td>2 times max.</td> </tr> </tbody> </table>	Items	Condition	Preheating temperature	Ambient temperature of the soldered surface of PC board. 110°C max.	Preheating time	2 Minutes max.	Soldering temperature	245°C max.	Continuous dipping time	5s max.	Number of soldering	2 times max.	<p>There shall be no defects in appearance or in the mechanical functions.</p> <p>没有出现任何外观和机械功能上的损伤。</p>
Items	Condition													
Preheating temperature	Ambient temperature of the soldered surface of PC board. 110°C max.													
Preheating time	2 Minutes max.													
Soldering temperature	245°C max.													
Continuous dipping time	5s max.													
Number of soldering	2 times max.													

喜威達企業股份有限公司

SWEETA PRODUCTS CORPORATION

SERIES 系列	DETECTION SWITCHES(SPS023)	Issuance date 日期:	20060801
Document No.文件名称	DIC/PE023-002	Edition 版本	C
Page 页码		第 4 页 共 4 页	
5. Durability characteristic:耐久性能			
Items 项目	Test conditions 测试条件	Criteria 标准	
5.1	Mechanical life 机械寿命	(1) Without loading 无负载 (2) Operating speed : 200 cycles/minute 操作频率: 200 次/分钟 (3) Push force : maximum value of operating force twice 推动力: 操作力的最大规格值的两倍 (4) Life: 50,000 cycles 寿命: 50,000 次	After test: (1)Contact resistance: 1 ohm Max. (2)Bounce: 5m sec. Max. (3)Withstand voltage: AC250V, 1 minute (4)Operating force: 30% of initial value (5) There shall be no defects in appearance or in the mechanical functions.
	Electrical life 电气寿命	(1) which the load of 0.1A, DC30V 负载为 0.1A, DC30V (2) Operating speed : 30 cycles/minute 操作频率: 30 次/分钟 (3) Push force : maximum value of operating force twice 推动力: 操作力的最大规格值的两倍 (4) Life: 10,000 cycles 寿命: 10,000 次	试验后: (1)接触电阻:1 欧姆以下 (2)灵敏度: 5 毫秒以下 (3)耐压强度: AC250V 1 分钟 (4)操作力度: 测试初始值的 30%以内 (5) 没有出现任何外观和机械功能上的损伤。
6. Packing explanation 包装说明			
6.1 500 pcs for one bag,8bags for one small box,6 small boxes for one big box. 500 pcs 为 1 袋, 8 袋为 1 小盒, 6 小盒为一箱。			
7. Special Requirements 特别要求			
7.1 Hazardous Substance Management: Follow environmental requirements: Hazardous Substance DIC/WI/G506。 有害物质管理: 遵循环境物质规范: 有害物质 DIC/WI/G506。			
8. Quality records of delivered goods 出货证明记录			
8.1 Package boxes or package bags should be attached labels or identifiers of Model No., Quantity and Quality Pursuing No. 成品包装箱或包装袋上应附有产品型号、数量及质量追踪号的标签或标识。			
8.2 There shall be quality records of inspection and test in package boxed. 出货产品包装批、出货批应附有产品检验、试验之质量证明记录。			