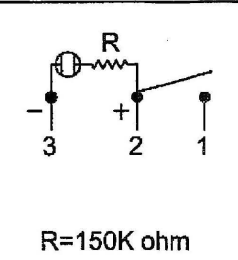
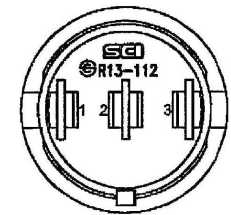
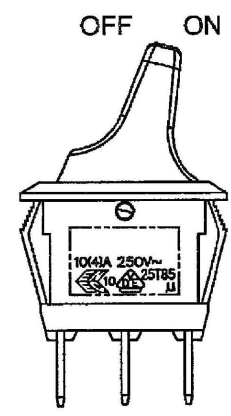
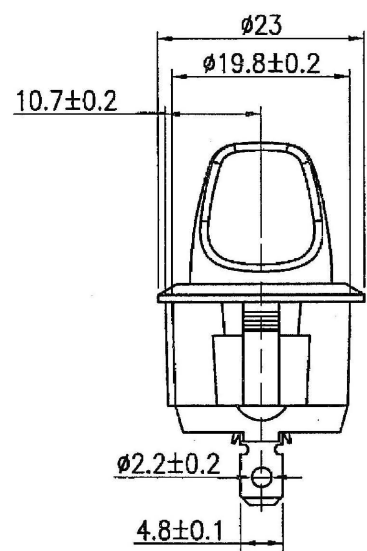
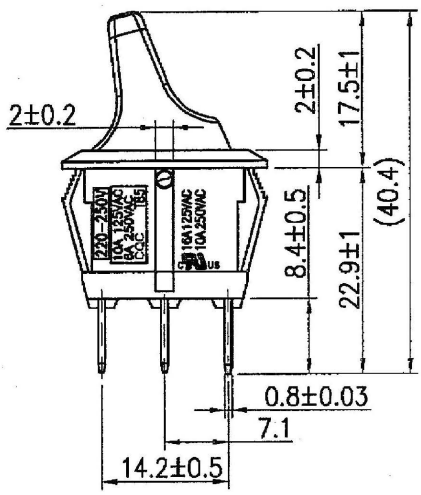
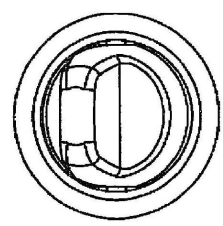


Rating	10A 125V AC, 6A 250V AC CQC T85 16A 125V AC, 10A 250V AC IEC 25185 10(4)A 250V~		
Mounting Hole	Thickness: 2~3 mm		
Contact Resistance	50m ohm Max		
Insulation Resistance	DC 500V 100M ohm Min.		
Dielectric Strength	AC 1500V 1 minute.		
Operation Temperature	-20°C~85°C		
Switch Function	3P SPST ON-OFF (NEON)		

Circuit Diagram



Material:  
Frame: Black, Nylon 66  
Actuator: Green, PC  
Lamp: Green, NEON



發行  
2013.5.-2  
研發部

Tolerances Unless Otherwise Specified ±0.3

03/19/13	劉嘉麗	依實物更正標籤粘貼位置。			△
Date	Name	Description			No.
Drawn	Checked	Approved	BOM No.	1812708	Model Name
劉嘉麗	符明強	Simac	Customer No.		ROCKER SWITCH
04/03/13	4/3/13	4/13/13	Unit	mm	Model No.
					SR13-112BP-02
				SWEETA PRODUCTS CORPORATION	Rev.
					1